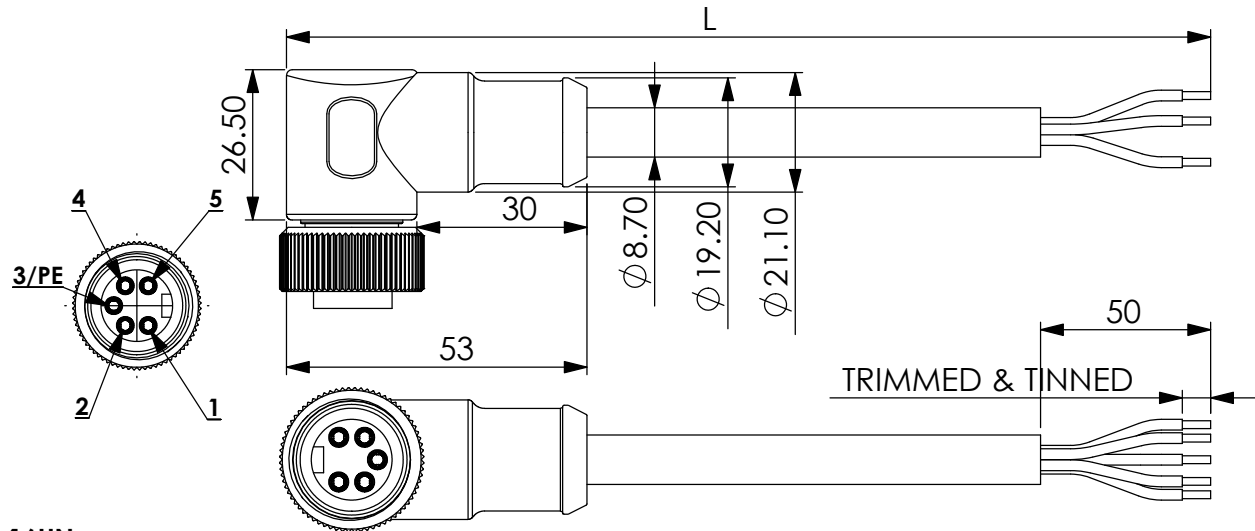


**Contact assignment :**

- Black \_\_\_\_\_ 1
- Blue \_\_\_\_\_ 2
- Green/Yellow \_\_\_\_\_ 3/PE
- Brown \_\_\_\_\_ 4
- White \_\_\_\_\_ 5

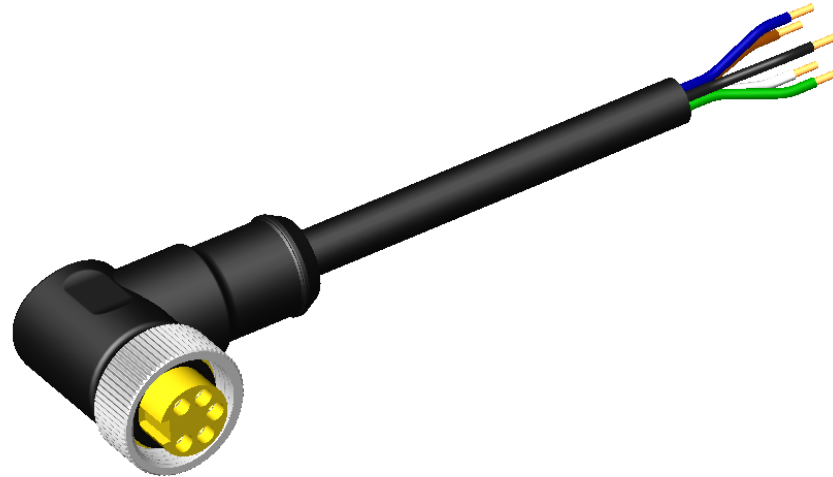


**TECHNICAL SPECIFICATION :**

- Connector locking system : screw 7/8"-16UN
- Termination : solder
- Wire gauge : AWG 16
- Cable outlet : 8.7mm
- Degree of protection : IP68
- Mechanical operation : > 100 mating cycles
- Upper temperature : +80°C
- lower temperature : - 25°C
- Rated voltage : 300V
- Rated current(40°C) : 9A
- Contact resistance :  $\leq 3m\Omega$

**MATERIALS :**

- Contact : Brass
- Contact plating : Nickel 50 $\mu$  / Gold 10 $\mu$
- Housing : PBT + 30% GF.
- Coupling nut : Brass , Nickel plated
- Moulding body : PU

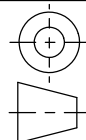


Part No.	Description	Length:L	Cable
CWP2205JMR-RA02	-	2M	PU , Black 5 x AWG16



**俞昌有限公司**  
YEU TSANG CO. LTD.

品名: ITEM :	WATER PROOF CABLE ASS'Y M22 5P R/A JACK PU CABLE		
料號: PART NO.	圖號: DRW NO.		



一般公差  
.X +/-0.25  
.XX +/-0.10

SHEET:  
1  
1

單位:  
unit: mm  
比例:  
scale: 3 : 2

日期:  
date: '08/01/23  
版本:  
version: V. 1.0

繪圖:  
drwn by: DanielShyr  
核准:  
aprld by: SkyShyr